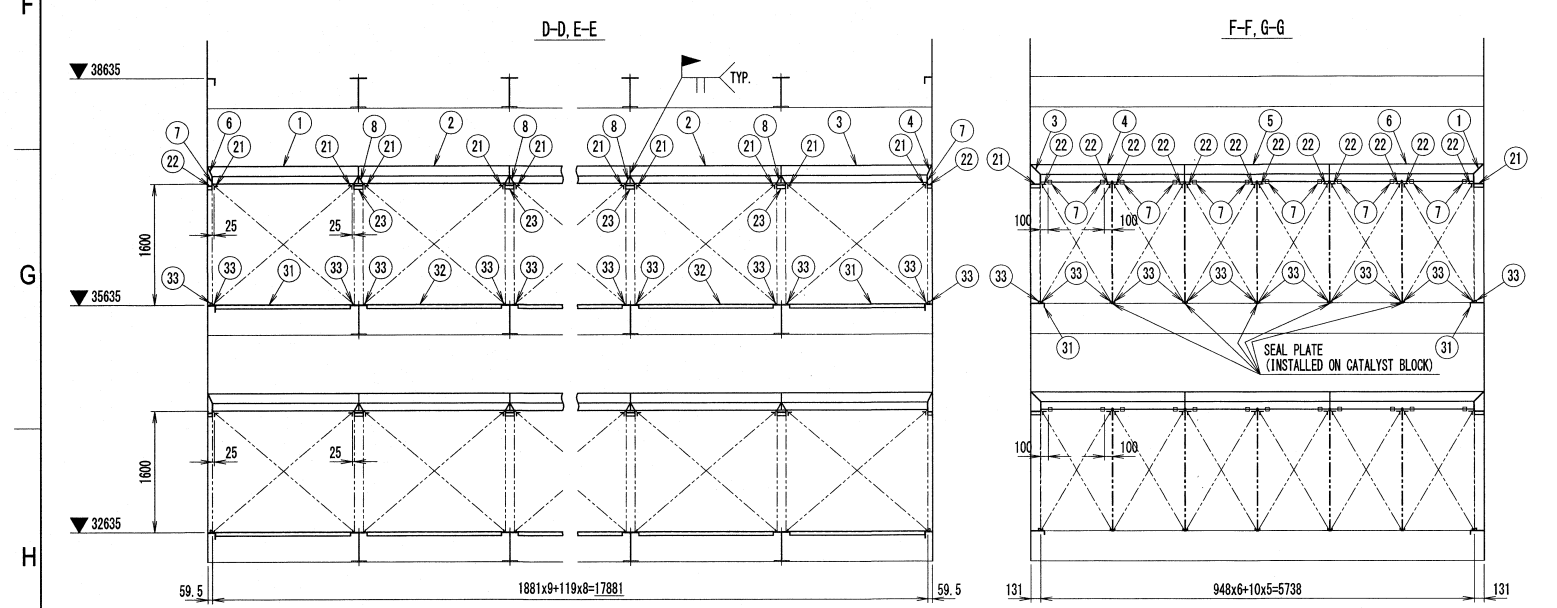
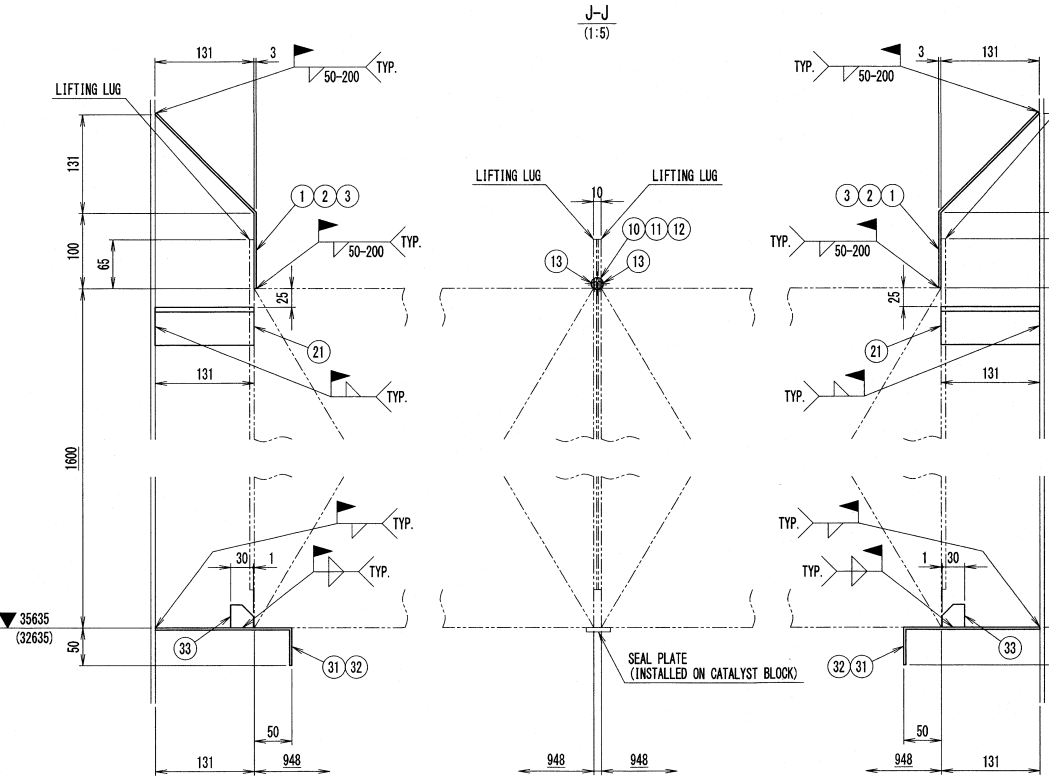
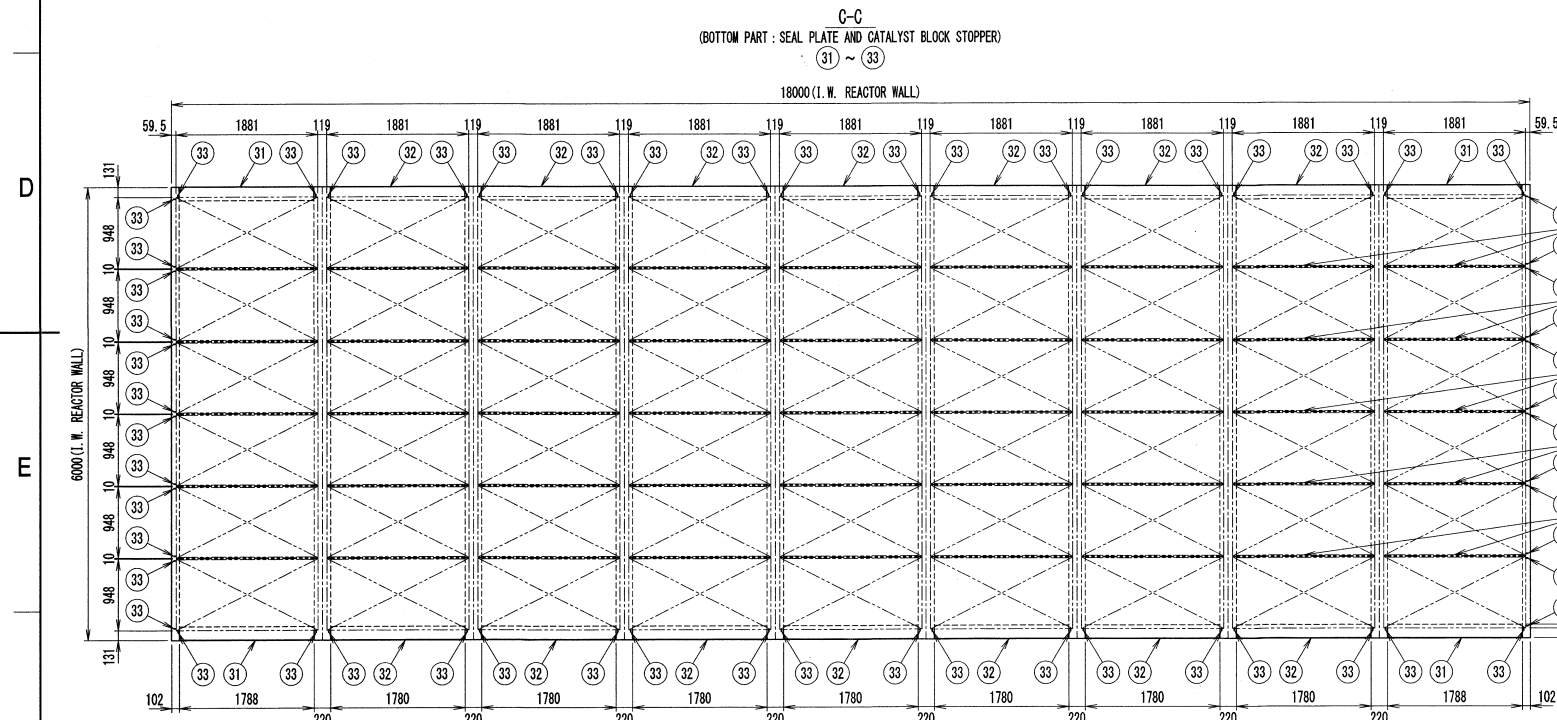
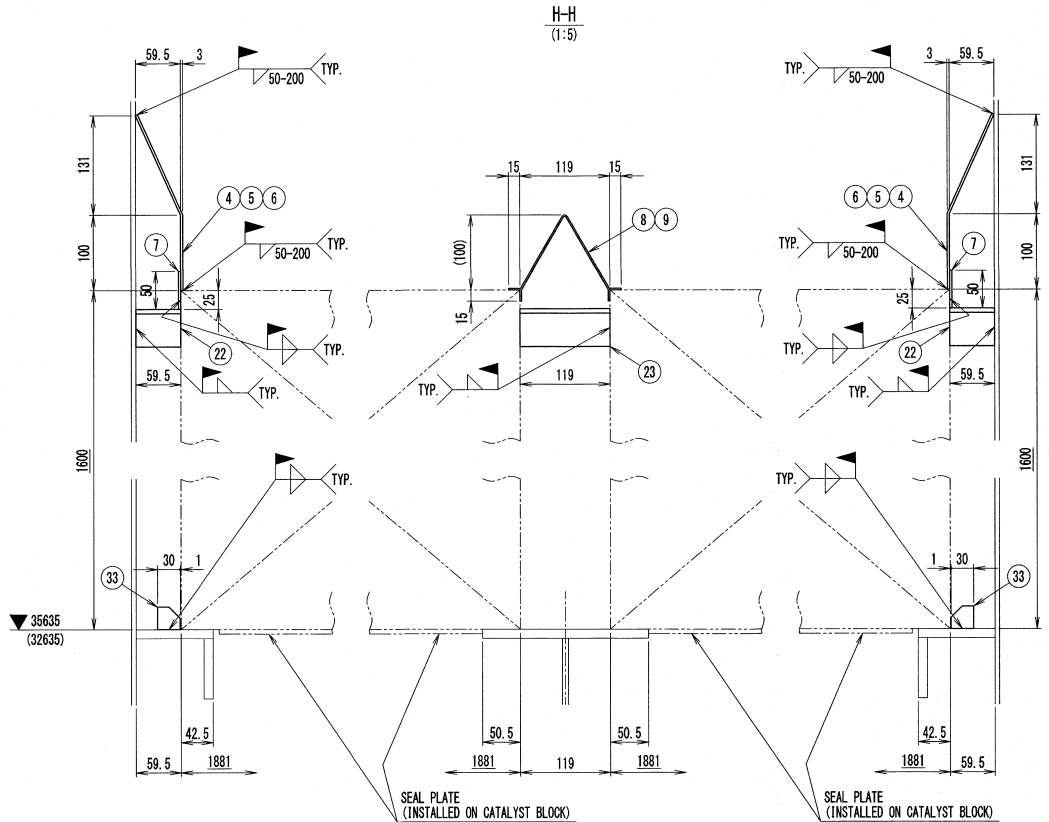
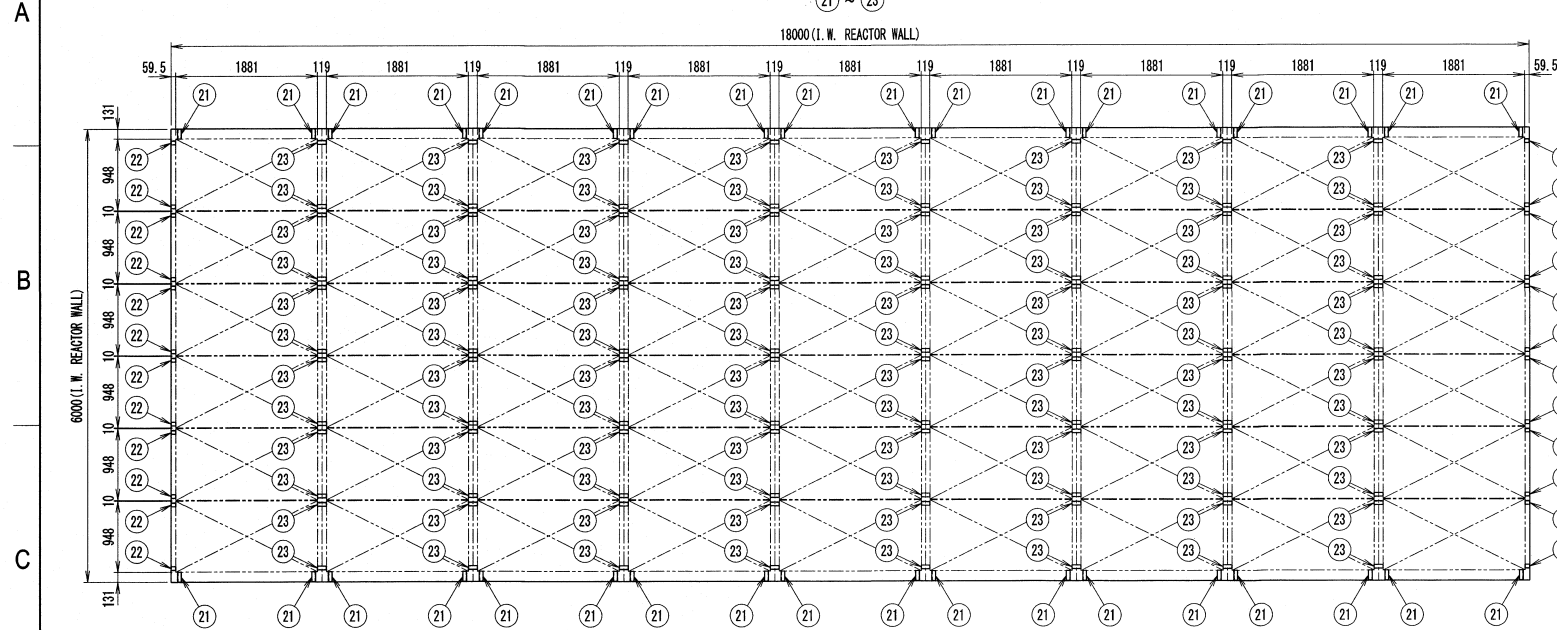


REV.	DESCRIPTION	REVISIONS				DATE
		ZONE	REVISED	CHECKED	APPROVED	



REMARKS

- CATALYST BLOCK BOTTOM PART :
 - DO NOT WELD "BOTTOM SEAL PLATE INSTALLED ON CATALYST BLOCK" TO NEXT CATALYST BLOCK. (METAL TOUCH ONLY)
 - DO NOT WELD "BOTTOM SEAL PLATE (31), (32)" TO THE CATALYST BLOCK. (METAL TOUCH ONLY)
- CATALYST BLOCK UPPER PART :
 - DO NOT WELD "STOPPER (23)" TO NEXT CATALYST BLOCK. (METAL TOUCH ONLY)
 - DO NOT WELD "STOPPER (21), (22)" TO THE CATALYST BLOCK. (METAL TOUCH ONLY)

CONFIDENTIAL
THIS DOCUMENT IS THE PROPERTY OF MITSUBISHI HITACHI POWER SYSTEMS, LTD. (MHPS) AND CONFIDENTIAL. IT MUST NOT BE COPIED NOR USED FOR ANY PURPOSE OR MANNER OTHER THAN EXPRESSLY PERMITTED BY MHPS OR WITH A PRIOR WRITTEN CONSENT OF MHPS. NEITHER IS IT TO BE HANDLED OVER NOR COMMUNICATED TO A THIRD PARTY IN ANY WAY, BREACH OR INFRACTION OF ANY KIND WILL LEAD TO LEGAL ACTION.

WBS Doc. CODE: -

Project DWG. No. -

Rev. -

ENGIE / POLANIEC STATION

Title: **BAFFLE PLATE ARRANGEMENT FOR SCR REACTOR (2/3)**

Scale: 1:50 DWG. No. **KU1-842-405** Rev. 0 Sheet No. 1/1

MITSUBISHI HITACHI POWER SYSTEMS
AIR QUALITY CONTROL SYSTEMS TECHNOLOGY DIVISION

Drawn: G. T. UENO JUN. 22. 2017
Checked: Y. MITSUJI JUN. 22. 2017
Approved: [Signature]
Date: JUN. 22. 2017
Department: DeNox PLANNING SECTION
DeNox TECHNOLOGY DEPARTMENT